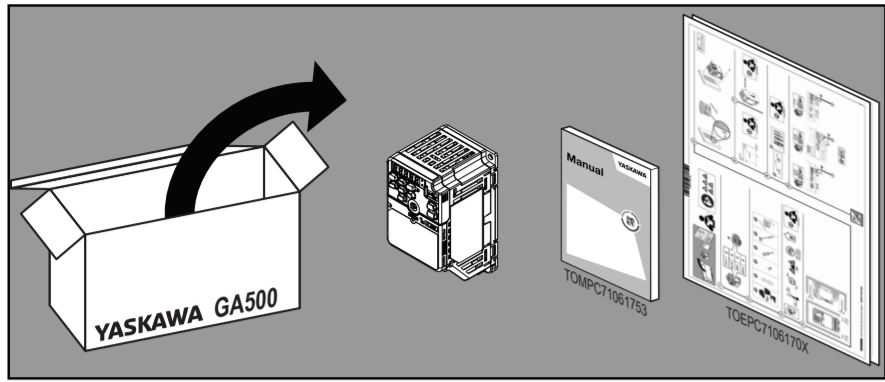
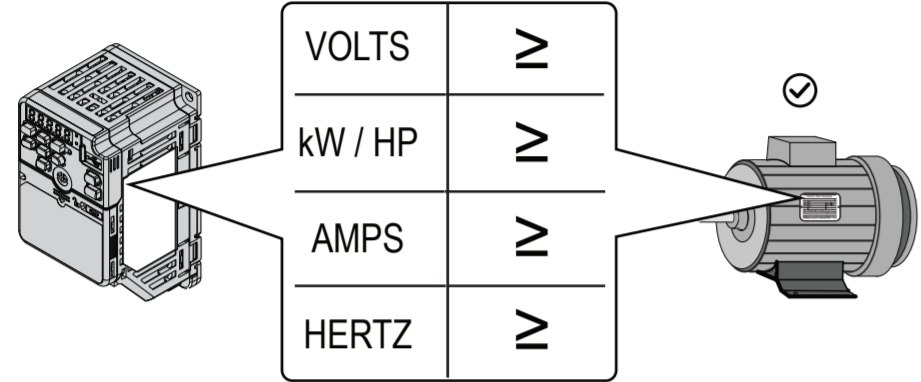




TOEPC7106170X

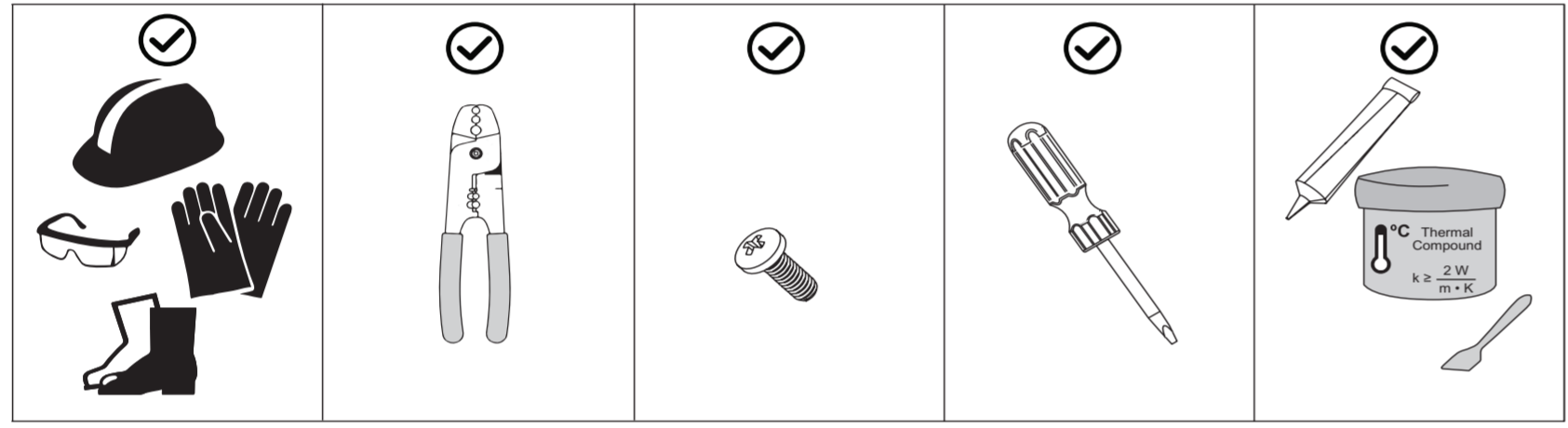


1

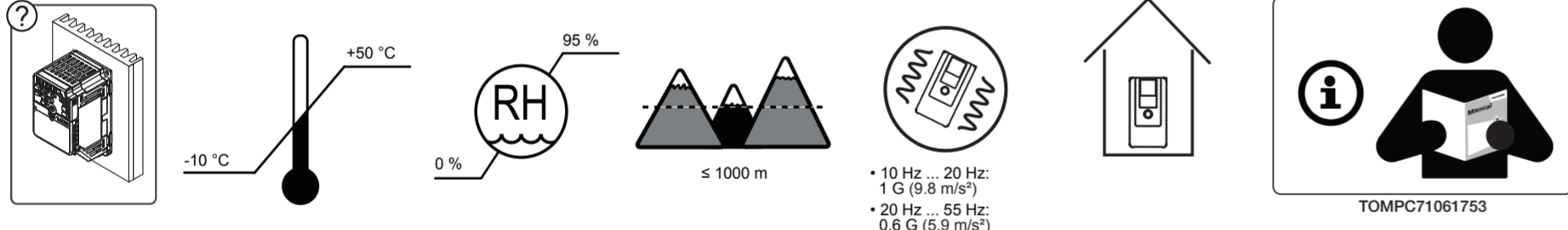


VOLTS	≡
kW / HP	≡
AMPS	≡
HERTZ	≡

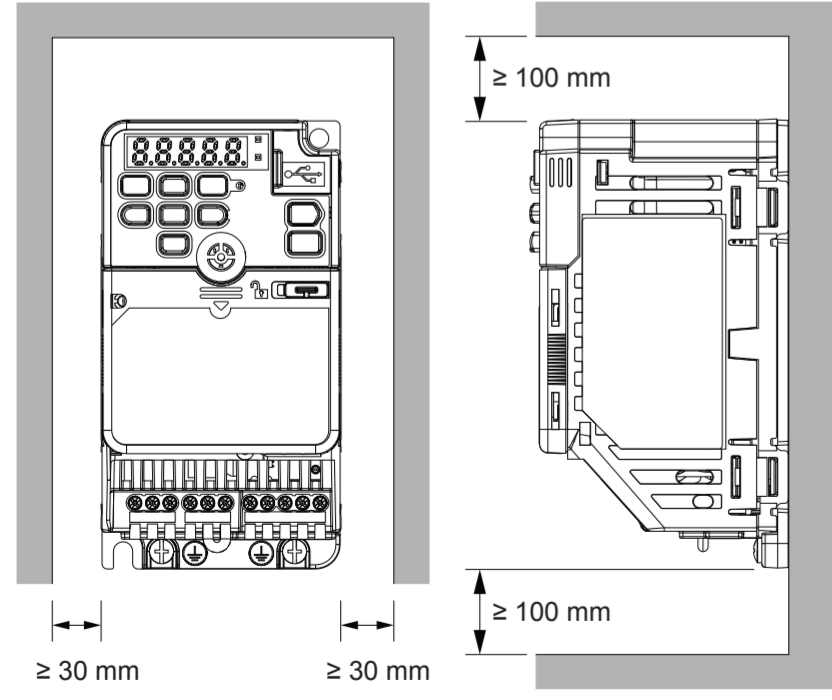
2



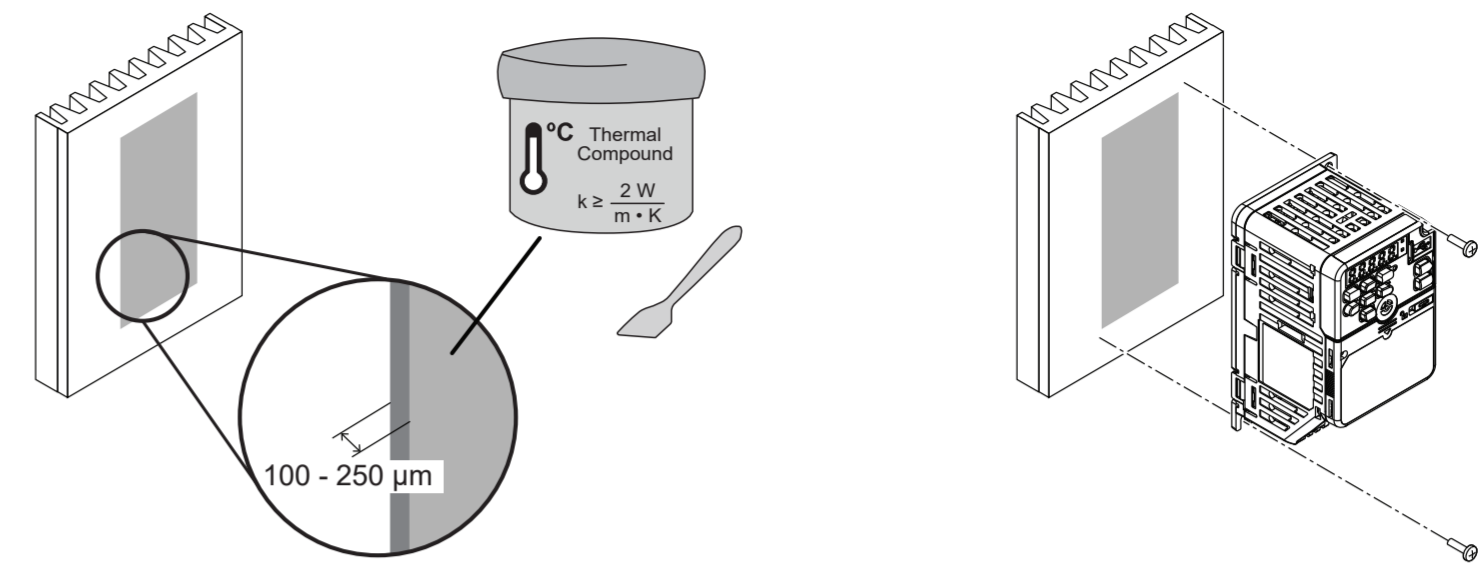
3



4

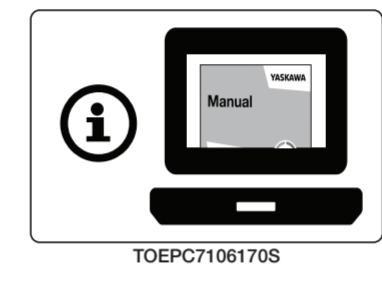
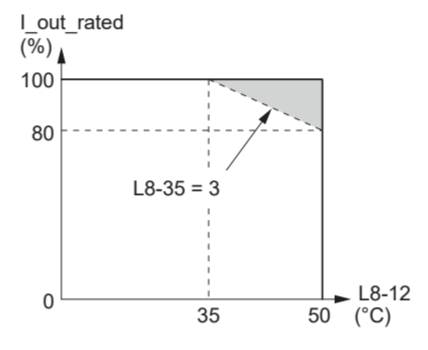


5

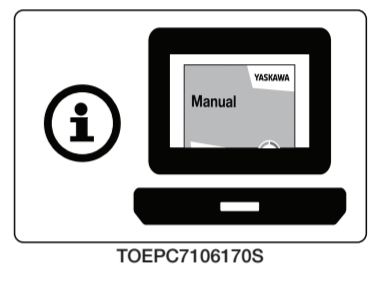
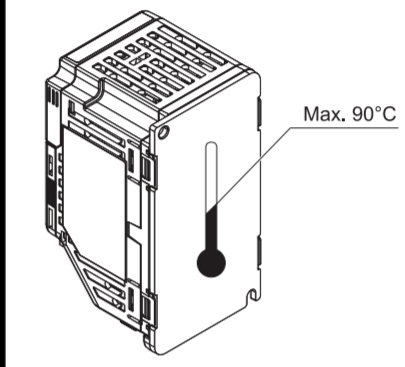


M5	2.0 - 2.5 N·m

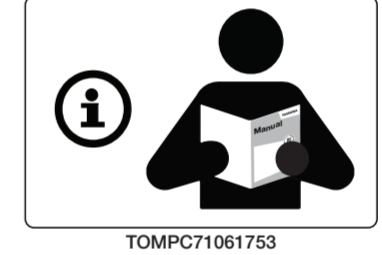
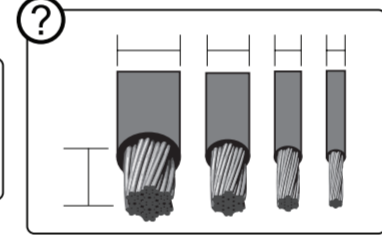
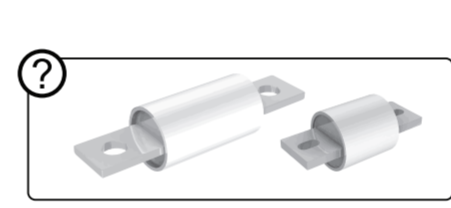
6



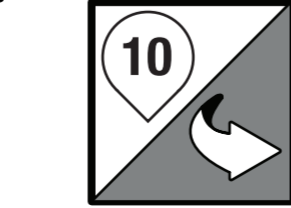
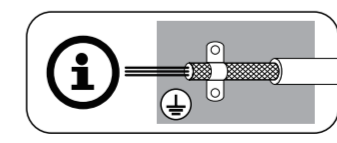
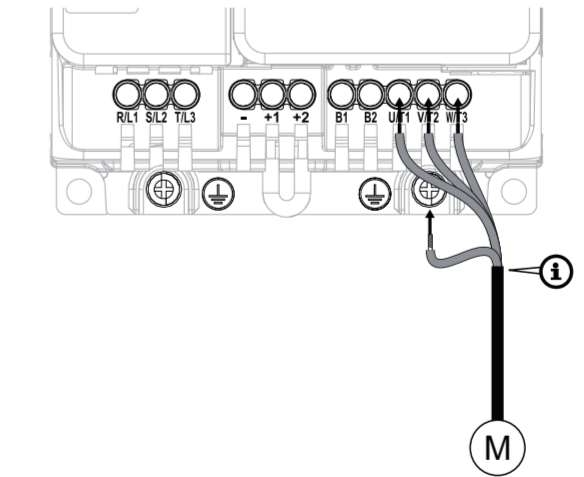
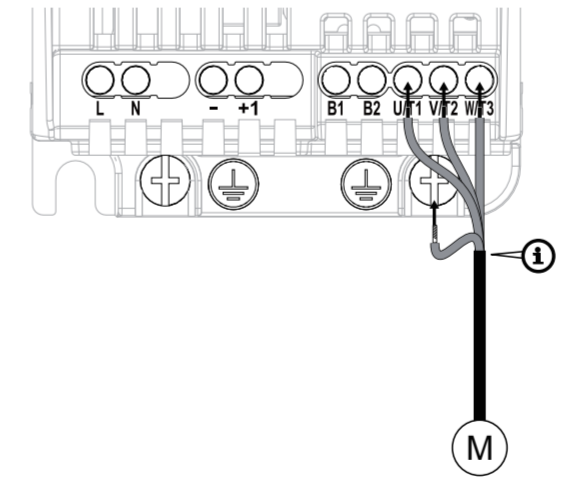
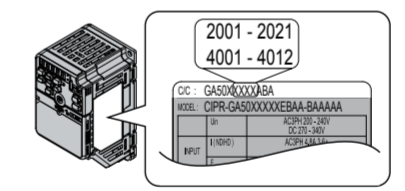
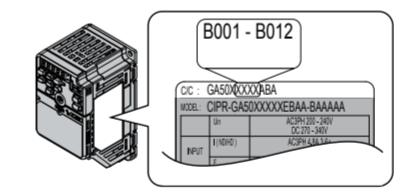
7



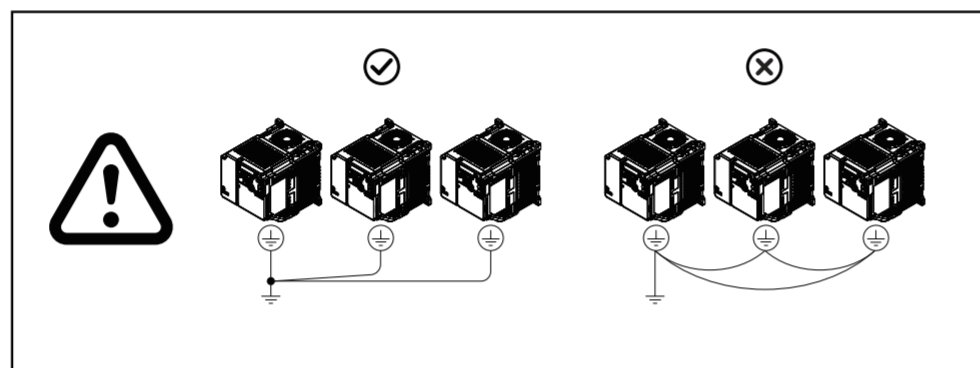
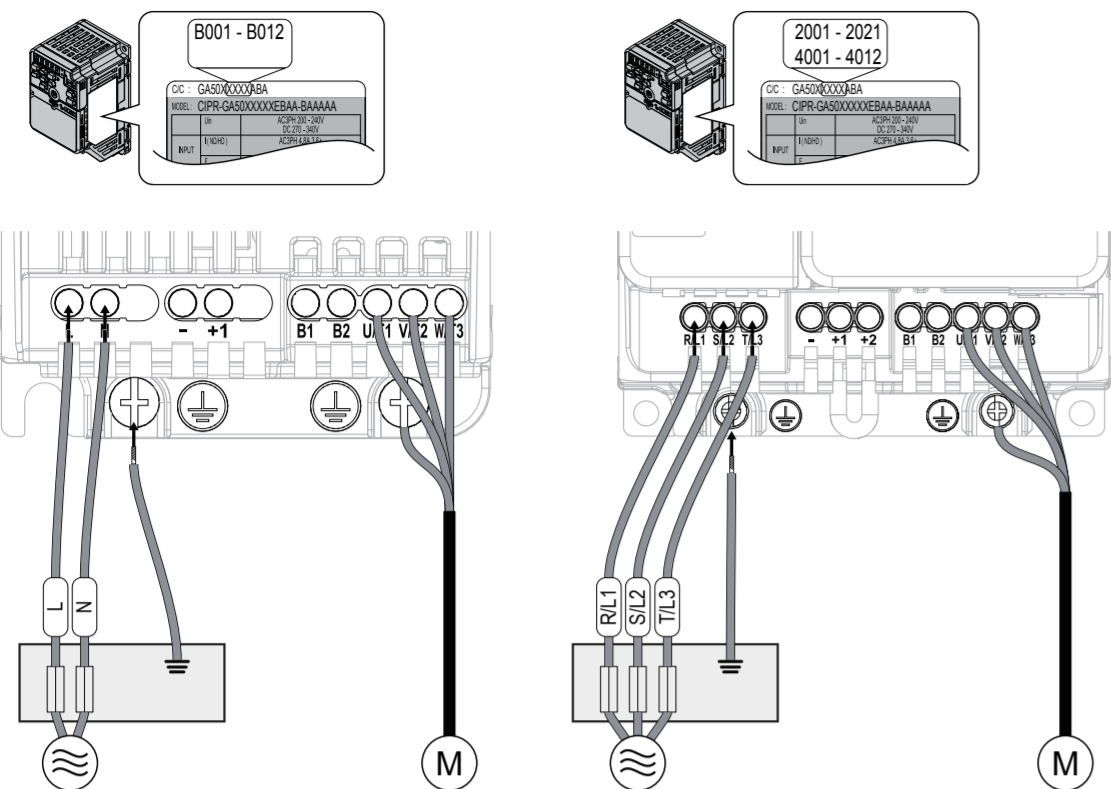
8



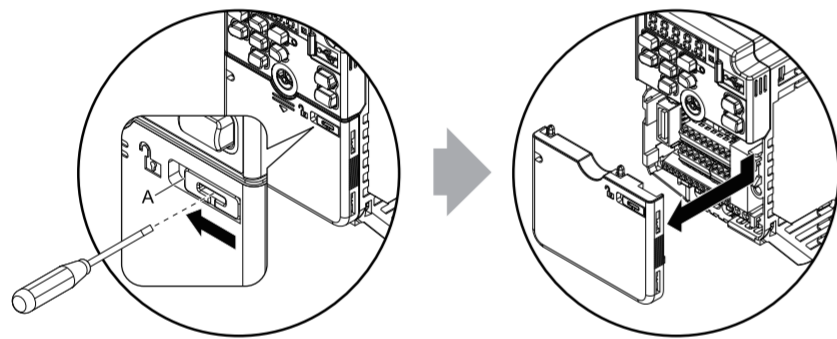
9



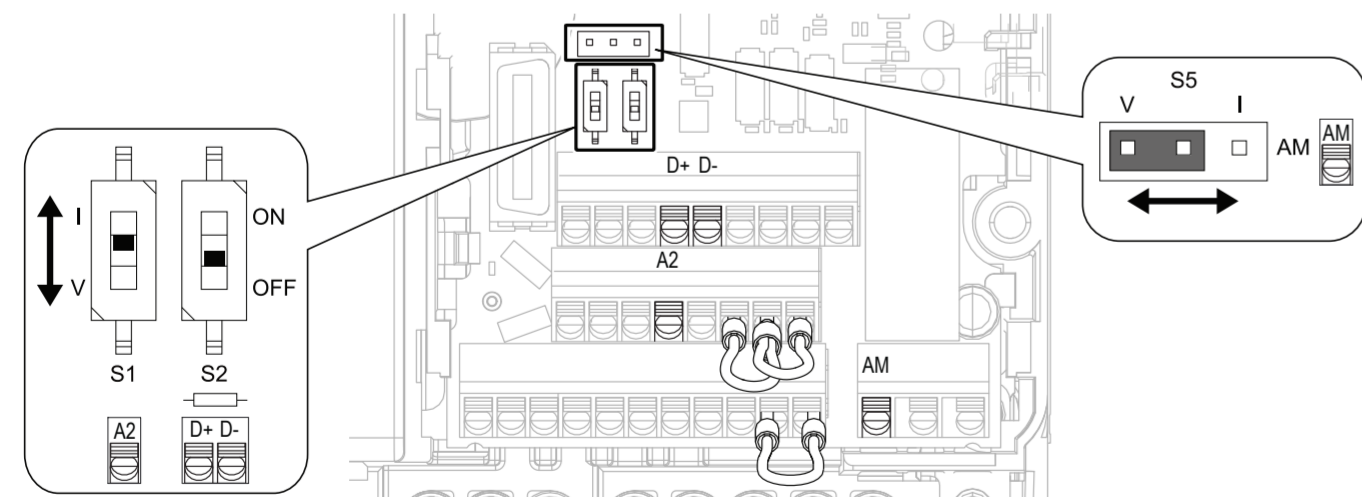
10



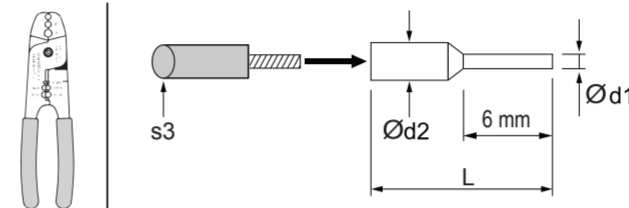
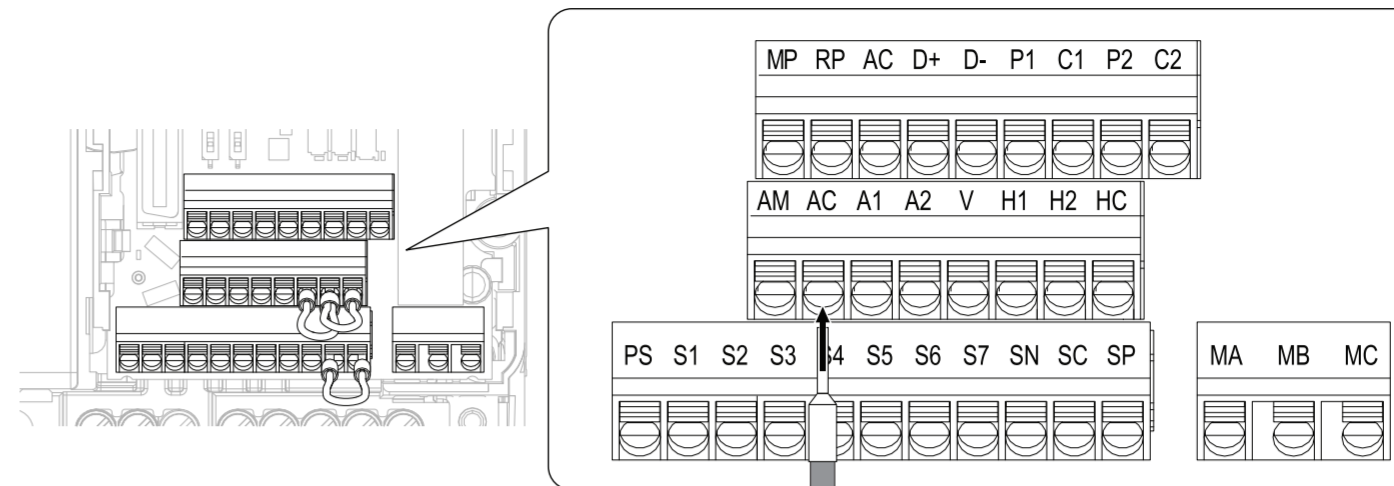
11



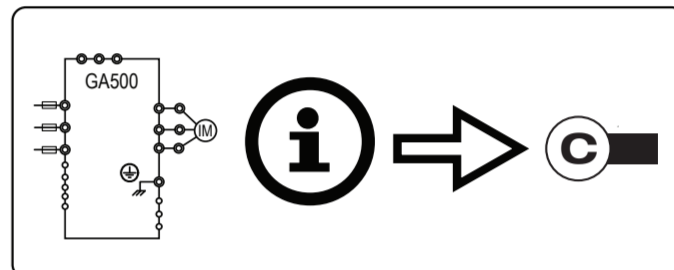
12



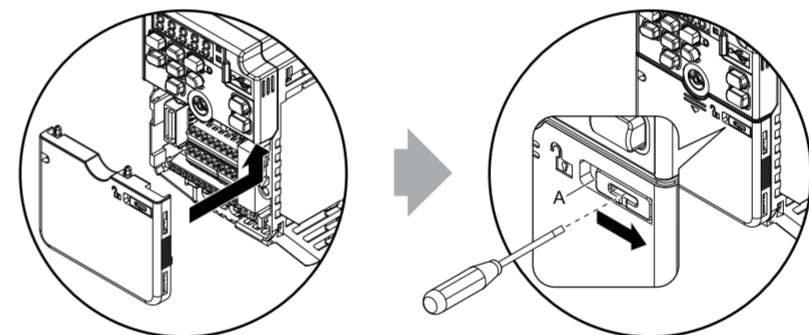
13



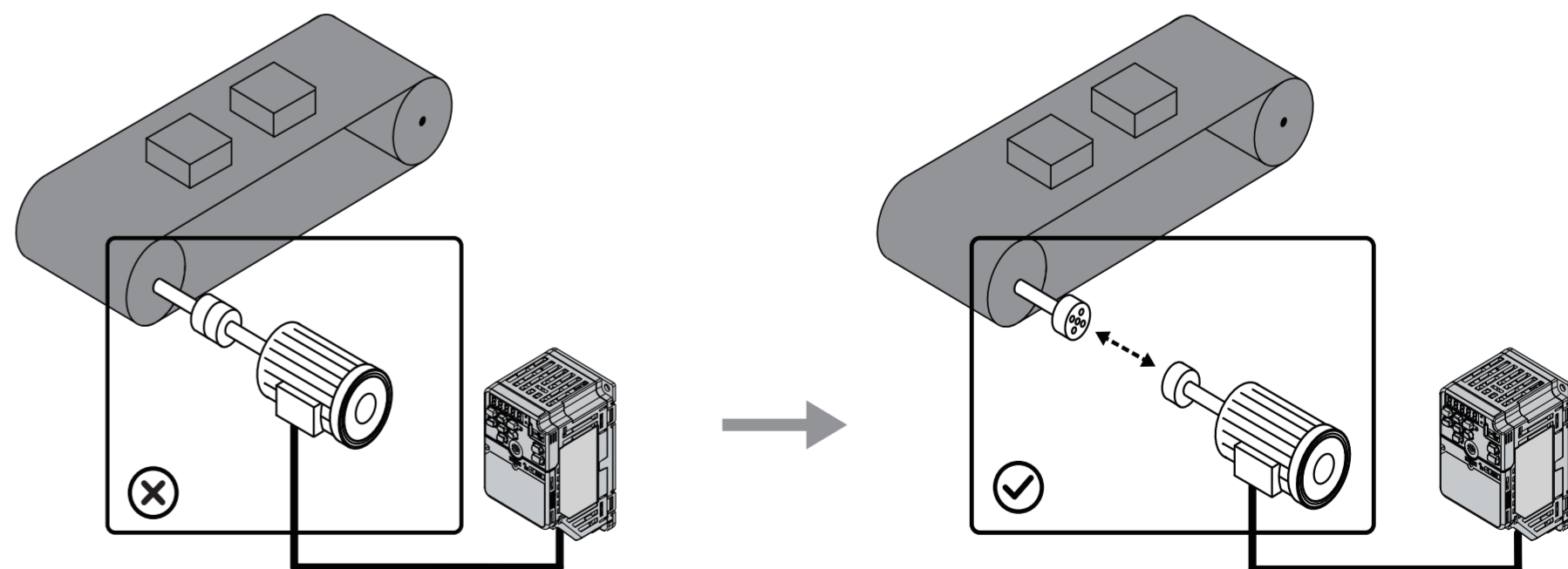
s3	0.25 mm ²	0.34 mm ²	0.5 mm ²	0.75 mm ²	1.0 mm ²
Ød1	0.8 mm	0.8 mm	1.1 mm	1.3 mm	1.5 mm
Ød2	2 mm	2 mm	2.5 mm	2.8 mm	3 mm
L	10.5 mm	10.5 mm	12 mm	12 mm	12 mm



14



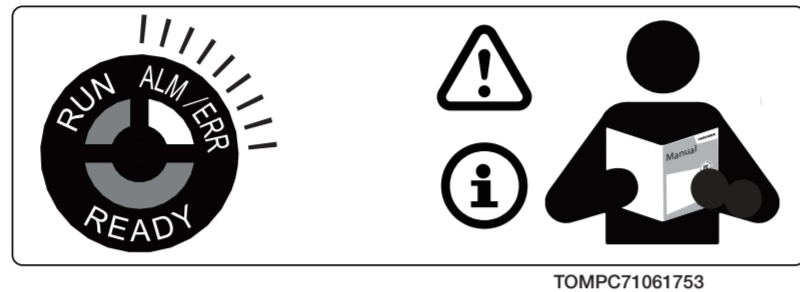
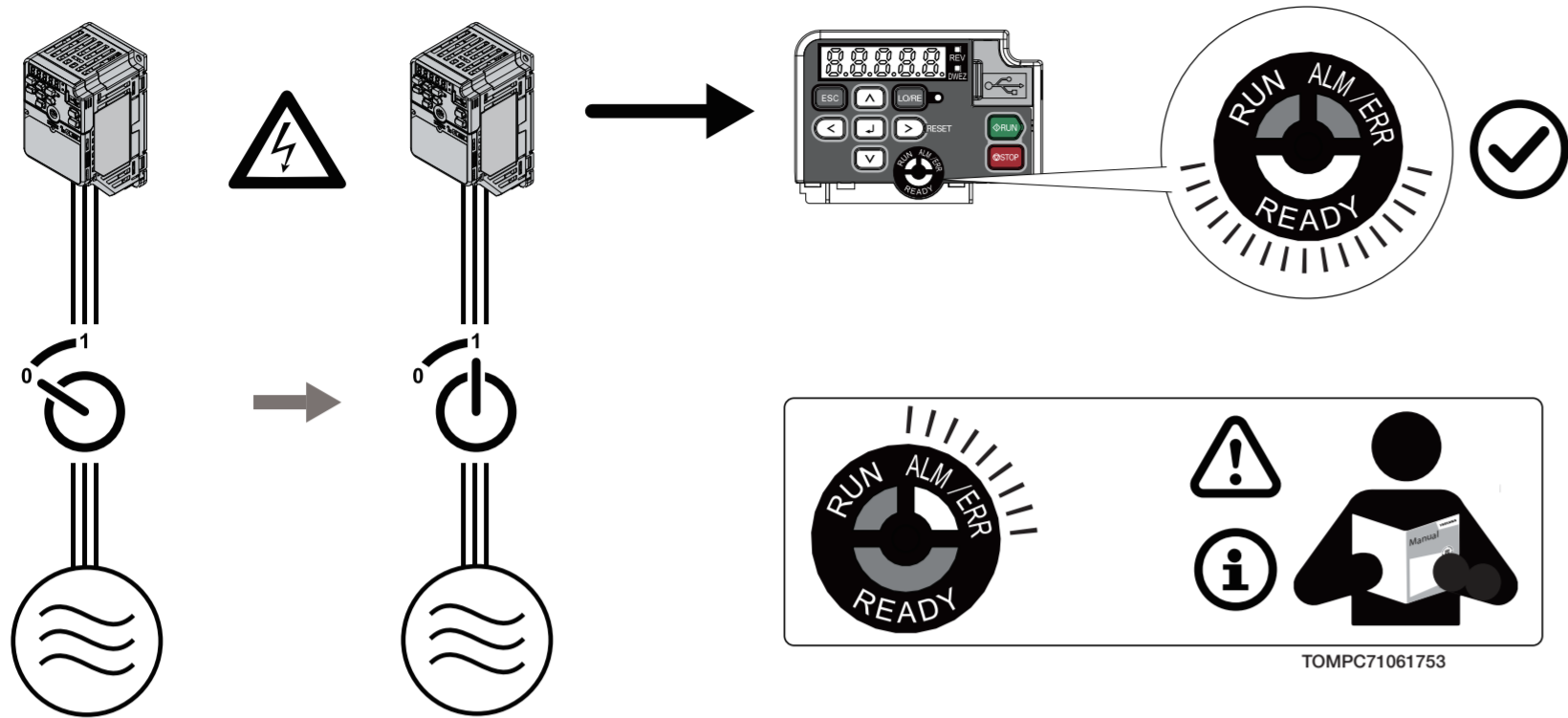
15



16



16

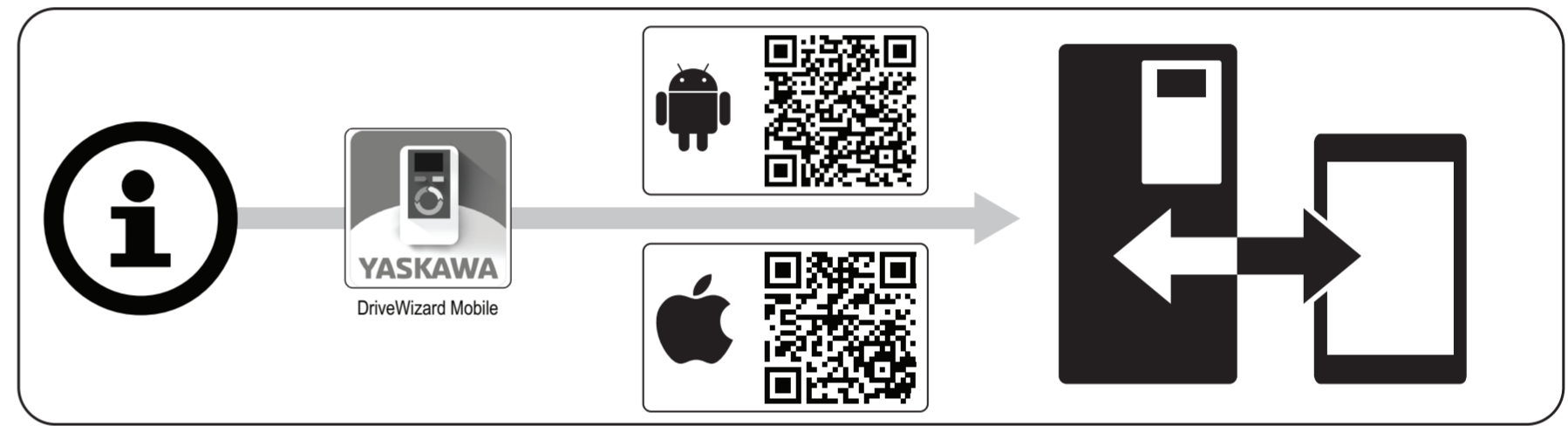
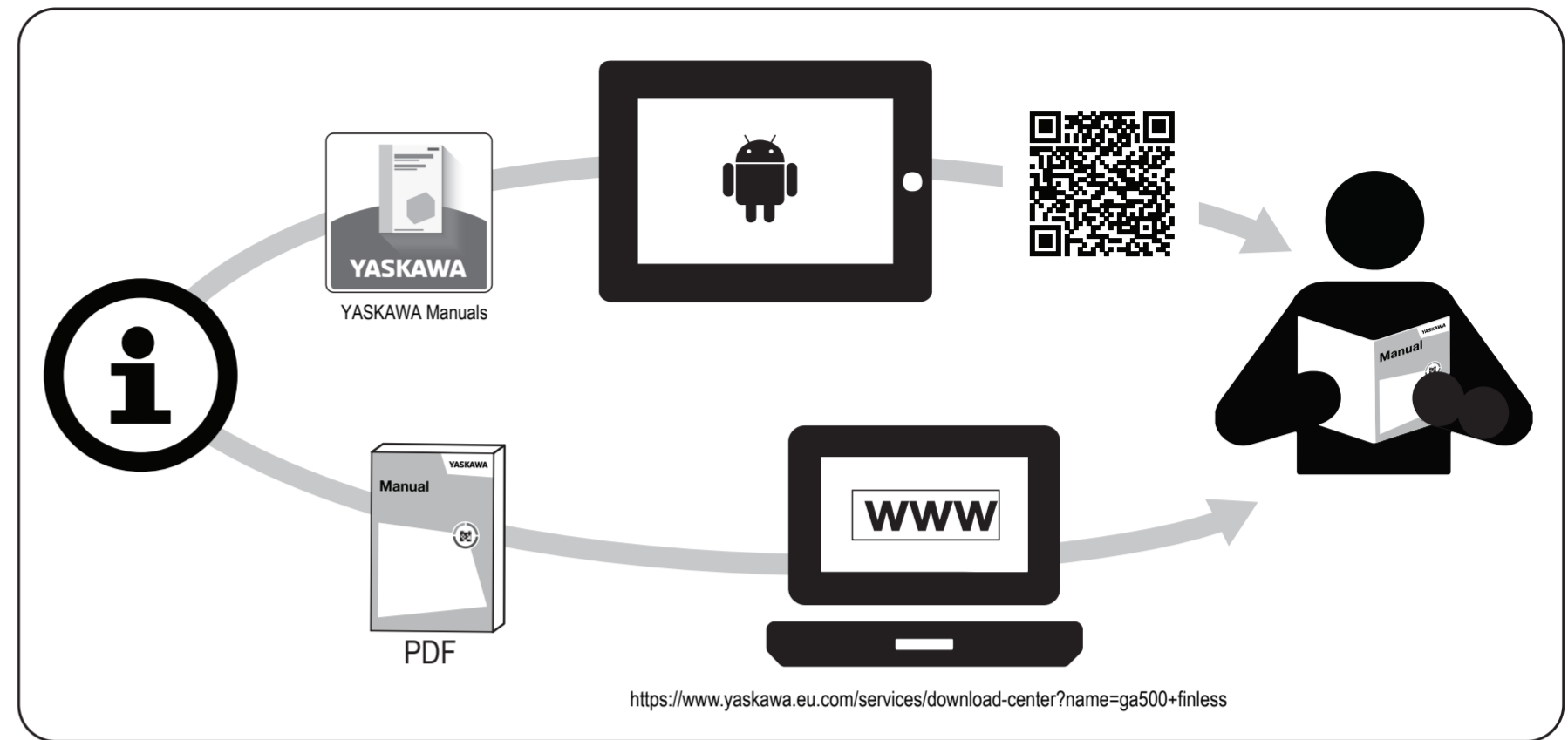


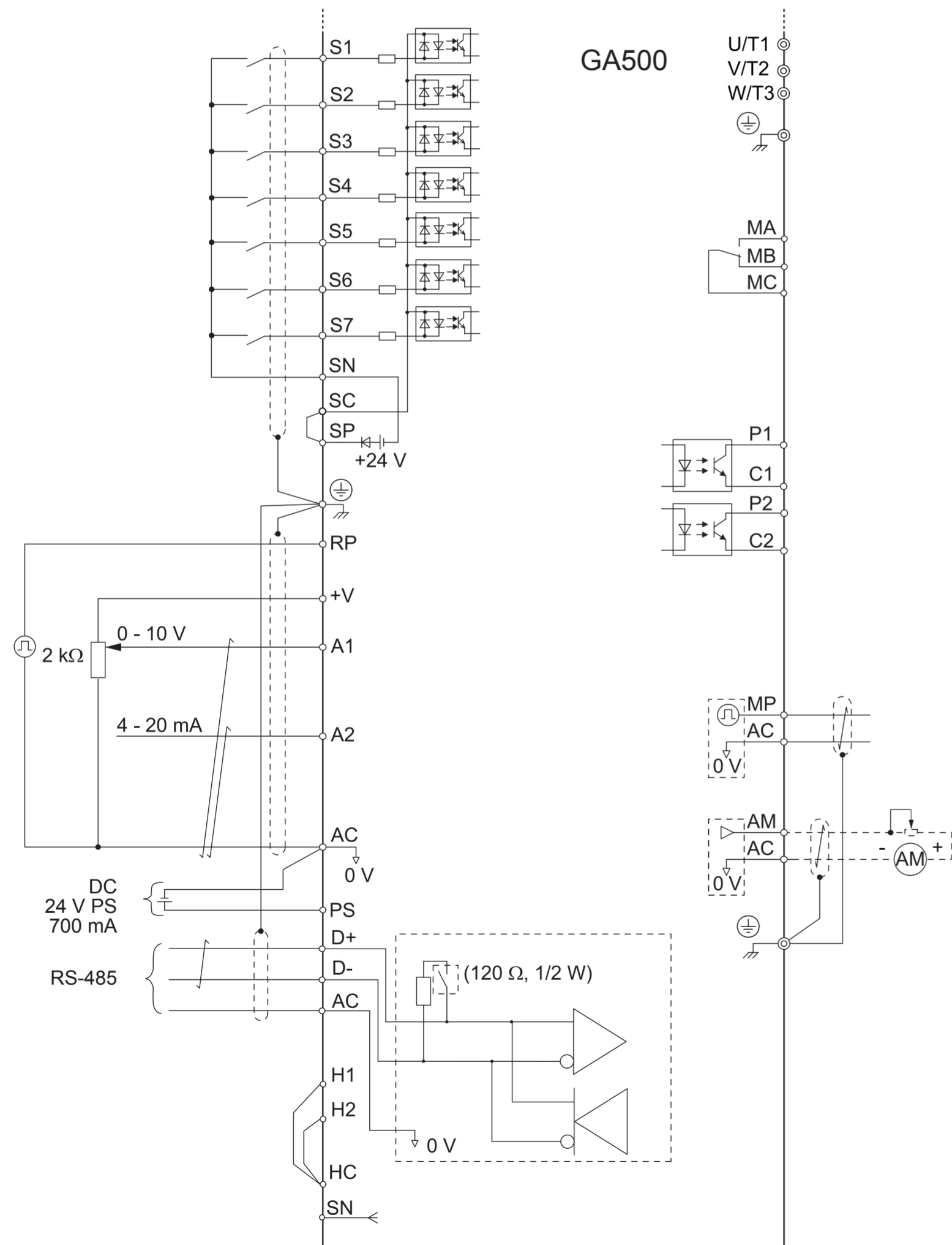
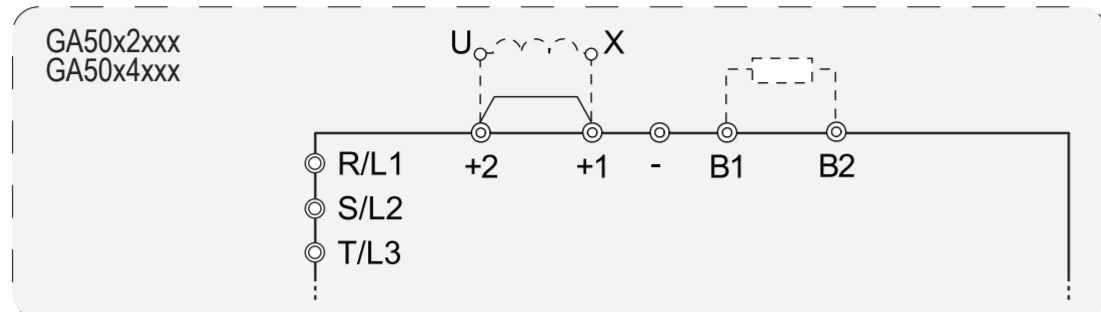
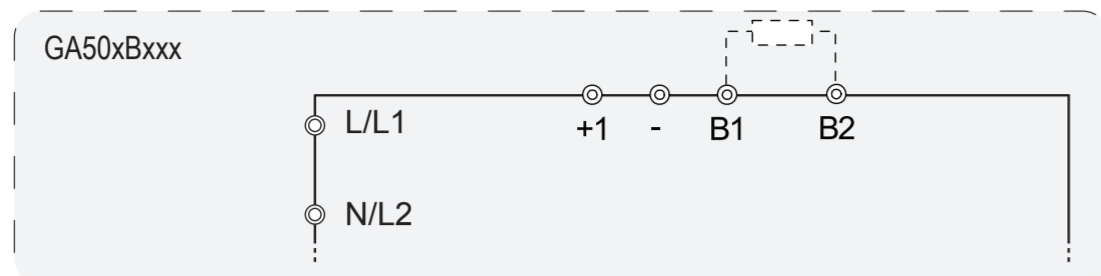
TOMPC71061753

A

A: Initialization	d: Reference Settings	H: Terminal Functions	o: Keypad-Related Settings
A1 Initialization	d1 Frequency Reference	H1 Digital Inputs	o1 Keypad Display
A2 User Parameters	d2 Reference Limits	H2 Digital Outputs	o2 Keypad Operation
b: Application	d3 Jump Frequency	H3 Analog Inputs	o3 Copy Keypad Function
b1 Operation Mode Selection	d4 Freq. Ref Up/Down & Hold	H4 Analog Outputs	o4 Maintenance Monitors
b2 DC Injection Braking and Short Circuit Braking	d6 Field Weakening/Forcing	H5 Modbus Communication	o5 Log Function
b3 Speed Search	d7 Offset Frequency	H6 Pulse Train Input/Output	q: DriveWorksEZ Parameters
b4 Timer Function	E: Motor	H7 Virtual Inputs/Outputs	r: DriveWorksEZ Connections
b5 PID Control	E1 V/f Pattern for Motor 1	L: Protection Functions	T: Motor Tuning
b6 Dwell Function	E2 Motor 1 Parameters	L1 Motor Protection	T0 Tuning Mode Selection
b8 Energy Saving	E3 V/f Pattern for Motor 2	L2 Power Loss Ride Through	T1 Induction Motor Auto-Tuning
C: Tuning	E4 Motor 2 Parameters	L3 Stall Prevention	T2 PM Motor Auto-Tuning
C1 Accel & Decel Time	E5 PM Motor Settings	L4 Speed Detection	T3 ASR and Inertia Tuning
C2 S-Curve Characteristics	E9 Motor Setting	L5 Fault Restart	T4 EZ Tuning
C3 Slip Compensation	F: Options	L6 Torque Detection	U: Monitors
C4 Torque Compensation	F6 Communication Options	L7 Torque Limit	U1 Operation Status Monitors
C5 Auto Speed Regulator (ASR)	F7 Ethernet Options	L8 Drive Protection	U2 Fault Trace
C6 Duty & Carrier Frequency		n: Special Adjustment	U3 Fault History
		n1 Hunting Prevention	U4 Maintenance Monitors
		n2 Auto Freq. Regulator (AFR)	U5 PID Monitors
		n3 High Slip/Overexcite Braking	U6 Operation Status Monitors
		n5 Feed Forward Control	U8 DriveWorksEZ Monitors
		n6 Online Tuning	
		n7 EZ Drive	
		n8 PM Motor Control Tuning	
		nA PM Motor Control Tuning	

B





Terminal	Type	Signal Level	Default	
S1			Forward run/Stop	
S2			Reverse run/Stop	
S3			External fault	
S4	Multi-functional Digital Input 1 to 7	Photocoupler 24 V, 6 mA	Fault reset	
S5			Multi-step speed 1	
S6			Multi-step speed 2	
S7			Jog reference selection	
SN			MFDI power 0 V	-
SC			MFDI common	24 V, 150 mA maximum (for external fuse)
SP	MFDI power +24 VDC		-	
H1	Safe Disable input 1	24 V, 6 mA	-	
H2	Safe Disable input 2	Internal impedance: 4.7 kΩ Minimum OFF time: 3 ms	-	
HC	Safe Disable common		-	
RP	Master frequency reference pulse train input	Response frequency: 0 ~ 32 kHz H level duty: 30 ~ 70% H level voltage: 3.5 ~ 13.2 V L level voltage: 0.0 ~ 0.8 V Input impedance: 3 kΩ	-	
+V	Power supply for frequency setting	10.5 V (20 mA maximum)	-	
A1	Multi-functional Analog Input 1	0 V ~ +10 V/100% (input impedance: 20 kΩ)	Master frequency reference	
A2	Multi-functional Analog Input 2	0 V ~ +10 V/100% (input impedance: 20 kΩ) 4 mA ~ 20 mA/100%, 0 mA ~ 20 mA/100% (input impedance: 250 Ω)	Combined w/ A1	
AC	Frequency reference common	0 V	-	
⊕	Shield ground terminal	-	-	
MA	Multi-Functional Digital Output	30 VDC, 10 mA ~ 1 A 250 VAC, 10 mA ~ 1 A Minimum load: 5 V, 10 mA	Fault	
MB			Fault	
MC	Digital output common		-	
P1	Multi-functional Photocoupler Output 1		During run	
C1	Multi-functional Photocoupler Output 2	48 VDC, 2 mA ~ 50 mA	Speed agree 1	
P2				
C2				
MP	Pulse train out	32 kHz maximum	Output frequency	
AM	Analog monitor output	0 V ~ +10 V/0% ~ 100% 4 mA ~ 20 mA	Output frequency	
AC	Monitor common	0 V	-	
PS	External 24 V power supply input	21.6 VDC ~ 26.4 VDC, 700 mA	-	
AC	External 24 V power supply ground	0V	-	
D+	Communication +, MEMOBUS/Modbus, RS-485	115.2 kbps maximum	-	
D-	Communication -		-	
AC	Shield ground	0 V	-	